

# KÄRCHER

## VC 4 Cordless myHome VC 4 Cordless Premium myHome

English  
العربية

6  
19



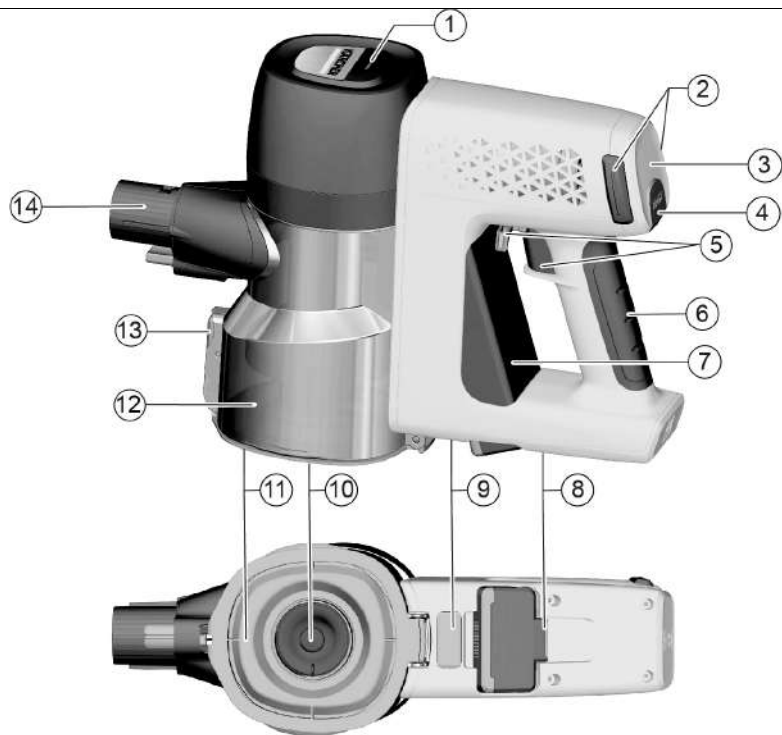
**Register  
your product**

[www.kaercher.com/welcome](http://www.kaercher.com/welcome)

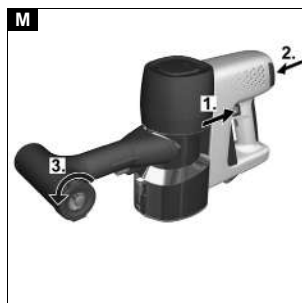
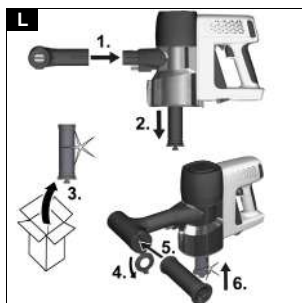
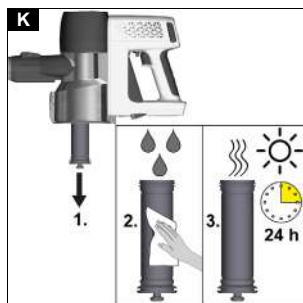
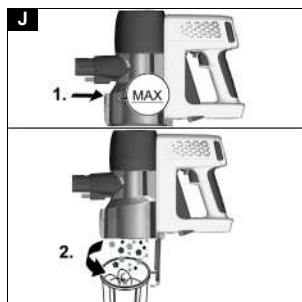
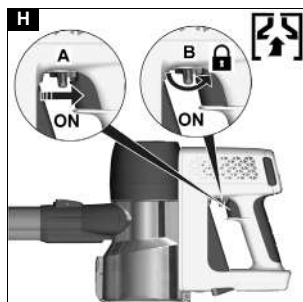
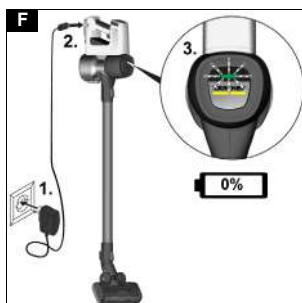
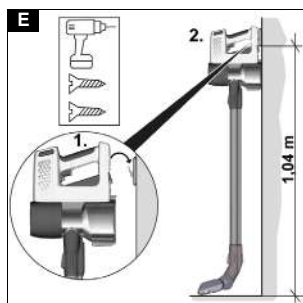
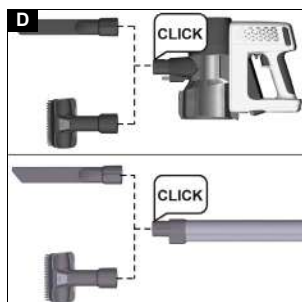
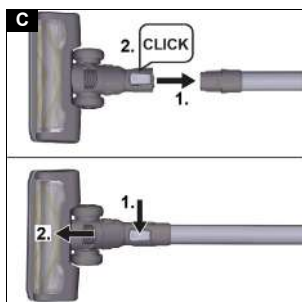
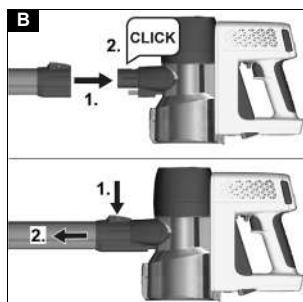


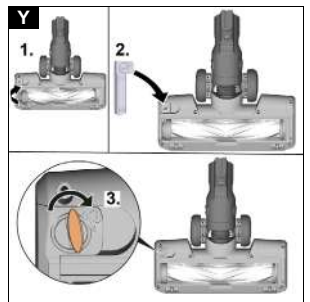
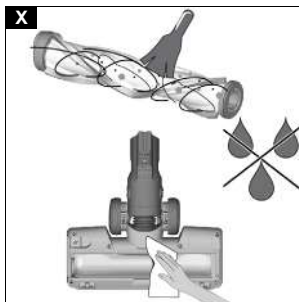
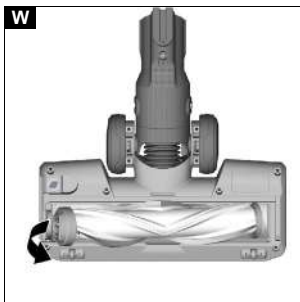
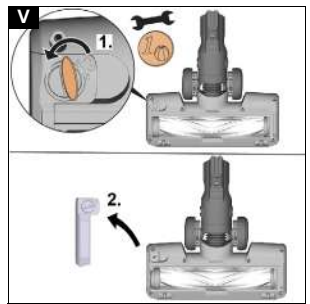
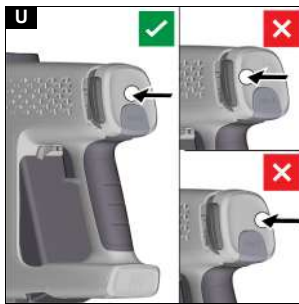
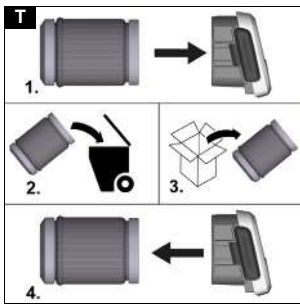
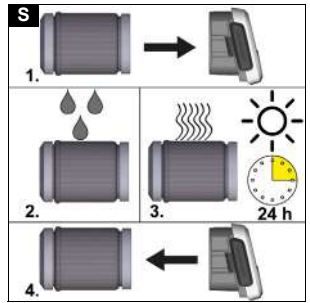
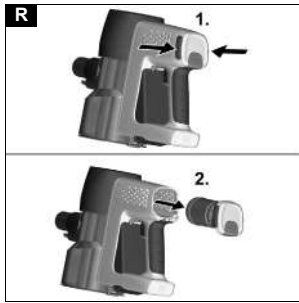
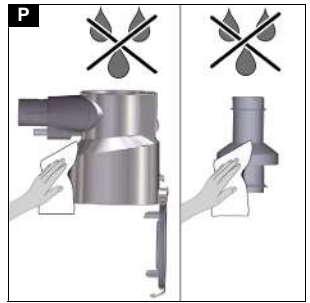
59793640 (01/23)

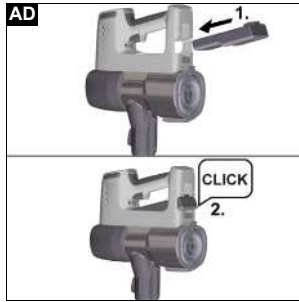
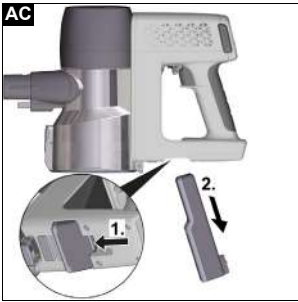
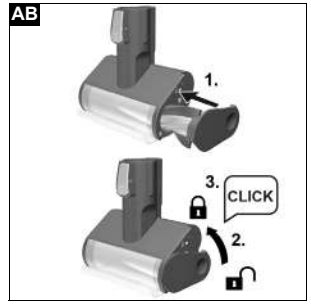
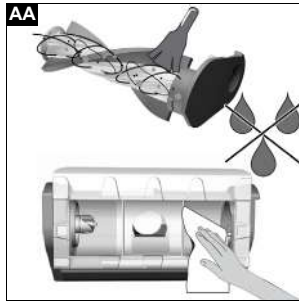
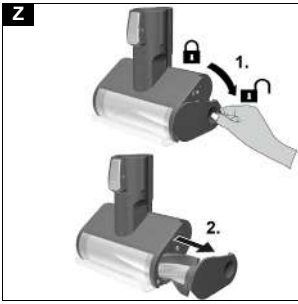
A



<p>15</p> 	<p>16</p> 	<p>17</p> 	<p>18</p> 	<p>19</p> 
<p>20</p> 	<p>21</p> 	<p>22</p> 	<p>23</p> 	<p>24</p> 
<p>25</p> 	<p>26</p> 	<p>27</p> 	<p>28</p> 	<p>29</p> 
<p>30</p> 				







## Contents

Intended use.....	8
Environmental protection.....	8
Accessories and spare parts.....	8
Warranty.....	8
Scope of delivery.....	8
Description of the unit.....	8
Installing the wall bracket.....	8
Initial startup.....	9
Operation.....	9
How to use the Accessories.....	10
Transportation.....	10
Storage.....	10
Care and service.....	10
Troubleshooting guide.....	12
Removing and installing the battery.....	12
Technical data.....	12

## Safety instructions for battery operated vacuum



Read these safety instructions and the original instructions before using the device for the first time. Act in accordance with them. Keep the booklet for future reference or for future owners.

- In addition to the notes in the operating instructions, you also need to take into consideration the general safety regulations and accident prevention guidelines applicable by law.
- Warnings and information notices attached to the device provide important information for hazard-free operation.
- The battery/battery pack is either permanently installed or removable, depending on the device type. Permanently installed batteries/battery packs must not be replaced. Please refer to the operating instructions of the device to find out what applies to your device.

A battery consists of a single storage element, whereas a battery pack consists of interconnected storage elements.

In the following chapters, both terms are used synonymously.

### Hazard levels

#### **⚠ DANGER**

- Indication of an imminent threat of danger that will lead to severe injuries or even death.

#### **⚠ WARNING**

- Indication of a potentially dangerous situation that may lead to severe injuries or even death.

#### **⚠ CAUTION**

- Indication of a potentially dangerous situation that may lead to minor injuries.

#### **ATTENTION**

- Indication of a potentially dangerous situation that may lead to damage to property.

### General safety instructions

**⚠ DANGER** • Risk of asphyxiation. Keep packaging film out of the reach of children. • Operation in explosive atmospheres is prohibited. • Risk of explosion

- Never use the device to vacuum up combustible gases, liquids or dusts.
- Never use the device to vacuum up reactive metal dusts (e.g. aluminium, magnesium, zinc).
- Never use the device to vacuum up undiluted brine or acids.
- Never use the device to vacuum up any burning or smouldering objects/matter.

These substances can corrode the materials in use on the device.

**⚠ WARNING** • Only use the device for its proper use. Take into account the local conditions and beware of third parties, in particular children, when working with the device. • Persons with reduced physical, sensory or mental capabilities and persons lacking experience and knowledge may only use the appliance if they are properly supervised, have been instructed on use of the appliance safely by a person responsible for their safety, and understand the resultant hazards involved. • Only people who have been instructed on how to use the device, or have proven their ability to operate it, and have been explicitly instructed to use it, must use the device. • Children must not operate the device. • Children from the minimum age of 8 may use the appliance if they are properly supervised or have been instructed in its use by a person responsible for their safety, and if they have understood the resultant hazards involved. • Children must be supervised to prevent them from playing with the appliance. • Children may only perform cleaning work and user maintenance under supervision. • Adhere to the respective safety regulations in hazard zones (e.g. service stations). Never operate the device in explosive spaces. • Only use the device for its proper use. Take into account the local conditions and beware of third parties, in particular children, when working with the device. • The appliance contains electrical components - do not clean the appliance under running water. • Risk of injury. Do not use the nozzle and suction pipe at head height. • Avoid switching the device on unintentionally. Make sure that the on/off switch is in the off position before connecting the battery pack, lifting or carrying the device. • You must not charge or store the device outdoors or in a car.

**⚠ CAUTION** • Safety devices are provided for your own protection. Never modify or bypass safety devices. • Do not use the appliance if it has been dropped beforehand, is visibly damaged or if it is leaking. • Never leave the device unsupervised while it is in operation. • Only operate or store the device in accordance with the description or figure. • In order to prevent accidents or injuries, you must observe the weight of the device when transporting it. • Accidents or damage due to the device falling over. Before all actions with or on the device, you must make sure that it is stable. • Do not make any changes to the device, and only use accessories and spare parts recommended by the manufacturer. • Risk of injury when loose fitting clothing, hair or jewellery is caught by moving parts of the device. Keep clothing and jewellery away from moving parts of the device. Tie long hair back.

**ATTENTION** • Do not operate the device at temperatures below 0 °C. • Never use the device without a filter, this can lead to device damage. • Only use the device indoors.

## Charger safety instructions

**⚠ DANGER** • Never touch the mains plug and socket with wet hands. • Danger of explosion. Do not charge any non-rechargeable battery. • Do not charge the battery pack in an explosion-hazard environment. • Never insert conductive objects, e.g. screwdrivers or similar, into the charging socket on the appliance.

**⚠ WARNING** • Only charge the appliance using the original charger enclosed or with a charger approved by KÄRCHER. • Protect the power cable from heat, sharp edges, oil and moving parts. • Do not open the charger. Repairs are only to be carried out by qualified personnel. • Only use the charger for charging approved battery packs. • Immediately replace a damaged charger together with charging cable with an original part. • The appliance contains electrical components - do not clean the appliance under running water. • You may not charge the battery pack for longer than 24 hours without interruption.


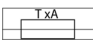

**⚠ CAUTION** • Do not use the battery pack when dirty or wet. • Keep the charger ventilation slits free of obstructions. • Do not pull the mains plug out the socket using the power supply cable. • Do not carry/transport the device using the power supply cable.

**ATTENTION** • Short circuit hazard. Protect the contacts of the battery pack from metal parts. • Only use and store the charger in dry rooms.

**Note** • Information on which type of charger/adaptor is to be used can be found on the type plate of the charger supplied and/or in the technical data in the operating instructions for the device.

### Symbols on the charger

(Depending on the charger)

	Protect the device from moisture. Store the device in a dry place. Do not subject the device to rain. The device is only suitable for indoor use.
	The device has a built-in fuse. The value (X) in amperes can be found on the respective charger.
	The device meets the requirements of protection class II.

### Battery/battery pack safety instructions

#### ⚠ DANGER

- Do not charge the battery pack in explosive atmospheres.
- Do not throw battery packs into a fire or into the household rubbish.
- Avoid contact with fluid leaking from defective batteries. Immediately rinse off the fluid using water if contact is made, and also consult a doctor in the event of contact with the eyes.
- Danger of explosion. Do not charge any non-rechargeable battery.

#### ⚠ WARNING

- Check that the voltage of the battery pack corresponds with the information on the type plate of the device used.
- Check the battery pack for damages before every operation. Do not use any damaged battery packs.
- Do not charge any damaged battery packs.

- Replace damaged battery packs with battery packs approved by KÄRCHER.  
Does not apply to appliances with a fixed battery
- Do not open the battery pack. Repairs are only to be carried out by qualified personnel.
- Only charge the battery pack with the approved chargers.
- Do not charge the battery unattended. Check the condition of the battery and charger regularly during the charging process.
- Disconnect the charger from the mains and the battery from the charger and stop using the charger and battery if you notice a fault, unusual odours or heat development during charging. Contact the authorized customer service.
- Do not remove permanently installed batteries.

#### ⚠ CAUTION




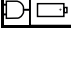
- Short circuit hazard. Protect the contacts of the battery pack against metal parts.
- Do not use the battery pack in a dirty or wet condition. Allow the connections to dry out completely before using the battery pack.
- Remove the battery pack from the device before carrying out any service or care work.  
Does not apply to appliances with a fixed battery

#### ATTENTION

- Short circuit hazard. Do not store the battery packs together with metal objects.
- Do not submerge the battery in water.
- Protect the battery pack against heat, sharp edges, oil and moving unit parts.
- Do not subject the battery pack to mechanical stress.
- Store the battery pack in a dry place.

### Symbols on the battery pack

(Depending on device/battery type)

	Do not throw the battery into water.
	Do not throw the battery into fire.
	Do not charge defective battery packs.
	Only use the battery pack with the approved chargers. Information on which type of charger/adaptor is to be used can be found on the type plate of the charger supplied and/or in the technical data in the operating instructions for the device.

### Safety instructions for transportation

The lithium-ion battery is subject to the requirements of dangerous goods regulations.

The battery pack can be transported by the user in public traffic areas without any further restrictions.

When shipping by third parties (transport companies), special requirements for packaging and labelling must be observed.

Do not use the battery pack if the casing is damaged. Tape off open contacts.

Pack the battery tightly and securely. The battery pack must not be able to move in the packaging.

## **⚠ DANGER**

- A defective or non-functional battery pack must not be mailed and must be disposed of on site in accordance with the applicable regulations.

Observe the national regulations.

### **Intended use**

- Only use the device in private households.
- The device is intended exclusively for cleaning dry surfaces
- The following are not in accordance with the intended use:
  - Cleaning people, animals, plants or clothing on the body.
  - Soaking up water or other fluids.
  - Extraction of glowing ashes, coal, cigarettes or other flammable or easily inflammable substances.
  - Use in the vicinity of explosive or highly flammable substances.

### **Environmental protection**



The packing materials can be recycled. Please dispose of packaging in accordance with the environmental regulations.



Electrical and electronic devices contain valuable, recyclable materials and often components such as batteries, rechargeable batteries or oil,

which - if handled or disposed of incorrectly - can pose a potential danger to human health and the environment. However, these components are required for the correct operation of the device. Devices marked by this symbol are not allowed to be disposed of together with the household rubbish.

#### **Notes on the content materials (REACH)**

Current information on content materials can be found at: [www.kaercher.de/REACH](http://www.kaercher.de/REACH)

### **Accessories and spare parts**

Only use original accessories and original spare parts. They ensure that the appliance will run fault-free and safely.

Information on accessories and spare parts can be found at [www.kaercher.com](http://www.kaercher.com).

### **Warranty**

The warranty conditions issued by our sales company responsible apply in all countries. We shall remedy possible malfunctions on your device within the warranty period free of cost, provided that a material or manufacturing defect is the cause. In a warranty case, please contact your dealer (with the purchase receipt) or the next authorised customer service site. (See overleaf for the address)

### **Scope of delivery**

The scope of delivery for the appliance is shown on the packaging. Check the contents for completeness when unpacking. If any accessories are missing or in the event of any shipping damage, please notify your dealer.

### **Description of the unit**

The scope of delivery of the unit (dependent on model) is shown on the packaging. These operating instructions describe all possible options. See graphics page for illustrations.

### **Illustration A**

- ① Battery/error message LED indicator light
- ② Unlocking buttons for removing the exhaust air foam filter
- ③ Exhaust air foam filter cover
- ④ Boost function button (increase suction performance)
- ⑤ On/Off switch with locking lever
- ⑥ Handle
- ⑦ Replaceable battery
- ⑧ Battery unlocking button
- ⑨ Unlocking button for removing the dust container removal
- ⑩ Air inlet filter
- ⑪ Dust container flap
- ⑫ Removable dust container
- ⑬ Dust container cover flap unlocking button
- ⑭ Dust container suction fitting
- ⑮ Motorized electric brush with universal brush roller
- ⑯ Suction pipe
- ⑰ Crevice nozzle
- ⑱ Wall bracket
- ⑲ Charger
- ⑳ \*\* 2-in-1 upholstery nozzle
- ㉑ \*\* Flexible extension hose
- ㉒ \*\* Flexible crevice nozzle
- ㉓ \*\* Large upholstery nozzle
- ㉔ \*\* 2-in-1 furniture brush
- ㉕ \*\* Mini turbo brush
- ㉖ \*\* Soft brush
- ㉗ \*\* LED crevice nozzle
- ㉘ \*\* Air inlet filter
- ㉙ \*\* Filter cleaning tool
- ㉚ \*\* Soft motorized brush (hard floor nozzle)

\*\* optional

### **Installing the wall bracket**

The scope of delivery includes a wall bracket as well as screws and dowels for tidy storage of the vacuum cleaner.

#### **Note**

Mount the wall bracket at a suitable point using the screws and dowels supplied.

For safe storage of the device, position the lower edge of the wall bracket 1.04 m from the floor.

#### **Illustration E**

### **ATTENTION**

#### **Material damage due to incorrect installation**

Incorrect installation can damage both the device and the floor covering if it falls.



Use suitable mounting tools for wall mounting.  
Take the weight of the device and the loading capacity of the installation location into account when selecting the fasteners.

## **⚠ WARNING**

### **Risk of electric shock and injuries**

Make sure there are no electrical cables, water or gas pipes in the wall around the mounting area.

## **Initial startup**

### **Installing accessories**

#### **Note**

The multi-function brush is also driven by its own integrated motor and must therefore always be connected directly to the hand-held device or the suction pipe in order to ensure the power supply.

All other accessor parts can also be used directly with the hand-held device or with the suction pipe to increase the reach.

- Push the suction pipe on to the suction fitting of the dust container until it audibly clicks into place.
- Press the unlocking button and remove the suction pipe from the suction fitting.

#### **Illustration B**

- Push the floor nozzle on to the suction pipe until it audibly clicks into place.

- Press the unlocking button and remove the floor nozzle from the suction pipe.

#### **Illustration C**

- Push the accessory, such as the crevice nozzle, on to the suction fitting of the dust container or suction pipe until it audibly clicks into place.

#### **Illustration D**

### **Battery charging**

#### **Note**

The device is not supplied with a charged battery. Fully charge the battery before using it for the first time. Please observe the enclosed safety instructions for battery powered vacuum cleaners.

1. To charge the device, attach it to the wall bracket included in the scope of delivery.

#### **Illustration E**

2. Plug the charger into a socket. Insert the connecting plug into the charging socket of the device.

The LED indicator light flashes green during the charging process.

#### **Illustration F**

3. When the device is fully charged, the LED indicator light lights up continuously green for 2 min. and then goes out.

Remove the charger from the power socket and charging socket.

Remove the device from the wall bracket.

#### **Illustration G**

The device is ready for use.

## **Operation**

### **LED display**

The LED on the head of the device shows information on the charging state of the battery and error messages.

### **Battery charging state**

<b>LED</b>	<b>Duration of lighting</b>	<b>Meaning</b>
Lights up green	continuously	Battery charged
Flashes green	1 s on / 1 s off	2 min remaining running time (-1 min/+2 min)
Flashes green	125 ms on / 125 ms off	Battery fault

The progress of charging the battery can be read from the green LED. The LED only lights up when the battery is correctly installed.

### **While charging**

<b>LED</b>	<b>Duration of lighting</b>	<b>Meaning</b>
Flashes green	0.2 s from off to on / 0.6 s on / 0.2 s from on to off / 1 s off	Battery is charging
Lights up green	2 min continuous lighting, then off	Battery fully charged

### **Error message**

<b>LED</b>	<b>Duration of lighting</b>	<b>Meaning</b>
Flashes red	125 ms on / 125 ms off	Floor nozzle blocked

### **Changing accessories**

To change accessories, see chapter *Installing accessories*

### **Vacuuming**

1. Install the required accessories, see chapter *Installing accessories*.
2. Switch on the device, depending on cleaning requirements:
  - Press the On/Off switch and keep it pressed during operation.
  - or
  - Turn the locking lever to switch the device directly to continuous operation.

#### **Illustration H**

3. If necessary, press the Boost button to increase the dust intake.

#### **Illustration I**

#### **Note**

When the device is switched off, the boost function is automatically disabled.

The boost function can also be switched off by pressing the Boost button again.

### **Ending operation**

1. Switch off the device.  
Release the On/Off switch or disable the locking lever.

#### **Note**

To ensure an optimum suction performance, empty the dust container and clean the air inlet filter after each use.

Empty the dust container at the latest when the "MAX" marking is reached.

2. Remove the suction pipe or accessory.
  3. Empty the dust container into a waste container.
    - a Press the unlocking button.  
The dust container flap opens.
    - b Empty the dust container.
- Illustration J**
4. To close the flap, push the dust container upwards until it clicks into place.
  5. Clean the air inlet filter, see chapter *Cleaning the air inlet filter*
  6. Attach the device to the wall bracket.
- Illustration E**
7. Charge the device, see chapter *Battery charging*.

## How to use the Accessories

### General instructions for use

- Which accessories are included in the scope of delivery is shown on the device packaging.
- Accessories not included in the packaging can be purchased in a KÄRCHER specialist shop or from [www.kaercher.com](http://www.kaercher.com).
- Test the accessory at an inconspicuous point before using it in a sensitive area.
- Follow the manufacturer's cleaning instructions.
- Connect the motor-driven electric nozzle to the suction pipe or the hand-held device.
- Also connect the other accessory parts, such as crevice nozzle, to the hand-held device or push it directly onto the suction pipe to increase the reach.

### Motor-driven multi-function brush

Ideal for hard floors and carpets.  
The motor-driven multi-function brush removes dirt stuck between the carpet fibres particularly effectively.

### 2-in-1 upholstery nozzle

The frame with the surrounding bristles can be taken off pressing the unlocking button.

- The soft brush is suitable for furniture with hard surfaces
- The wide brush is used to clean upholstered furniture, curtains, etc.

### Crevice nozzle

For edges, joints, heaters and areas that are difficult to reach.

### Soft brush

The soft brush has particularly soft bristles for cleaning sensitive surfaces such as keyboards, lamps, etc.

### Flexible crevice nozzle

The flexible crevice nozzle increases the reach. For cleaning hard-to-reach places, such as between the car seats.

### Flexible extension hose

Due to the extension and flexibility, hard-to-reach areas such as in the car can be reached and cleaned.

### Large upholstery nozzle

For cleaning textile surfaces such as sofas, armchairs, mattresses, car seats, etc.

### 2-in-1 furniture brush

For gentle cleaning of sofas and delicate furniture. Depending on requirements, the accessory can be used as a furniture or upholstery nozzle by pressing the button.

### Mini turbo brush

Ensures efficient removal of pet hair and dust particles from upholstered furniture, mattresses or other soft surfaces. The rotating round brush picks up even the finest hairs.

### LED crevice nozzle

For cleaning corners and hard-to-reach areas. Thanks to the lights, even the finest dust in dark gaps becomes visible.

### Soft motor-driven brush (Hard floor nozzle)

For hard floors and sensitive wooden floors. Extracts coarse and fine dirt simultaneously.

## Transportation

The battery has been tested in accordance with the relevant rules for international transport, and can be transported / shipped.

## Storage

### ATTENTION

#### Moisture and heat

#### Risk of damage

Store batteries only indoors in a dry place with low humidity and temperatures below 20°C.

## Care and service

### General care instructions

- Clean the device and plastic accessory parts with a commonly available plastic cleaner.

### Cleaning the air inlet filter

#### Note

The device can be cleaned manually or using a filter cleaning device.

1. Switch off the device.
2. **Manually cleaning the air inlet filter.**
  - a Pull the soiled air inlet filter down at the filter stick, carefully beat it and clean it with a damp cloth or running water.

**Illustration K**

  - b Reinsert the fully dried air inlet filter.
  - c Check for correct seating.
3. **Cleaning the air inlet filter with a filter cleaning device.**

#### Note

A new air inlet filter must be installed in the dust container during filter cleaning.

- a Push the filter cleaning device on to the suction pipe branch and pull the air inlet filter out of the device using the filter stick.
  - b Push the soiled air inlet filter into the filter cleaning device.
  - c Insert a new air inlet filter into the dust container.
- Illustration L**
- d Switch on the device and let it run in boost mode while turning the side cover.
- Illustration M**
- e Remove the cleaned air inlet filter from the filter cleaning tool and reinsert it in the dust container after removing the new air inlet filter.
  - f Check that the air inlet filter is correctly seated.

### Cleaning the dust container and cyclone filter

#### Note

The dust container and cyclone filter can be cleaned with or without removing the dust container.

We recommend removing the dust container from the device for easy cleaning.

#### Note

Before cleaning the dust container and cyclone filter, empty the dust container, see chapter *Ending operation*

1. Switch off the device.
2. Press the unlocking button for the dust container and remove the dust container from the hand-held device.

#### Illustration N

- a Remove the cyclone filter from the dust container by turning it anticlockwise.
- b Remove the cyclone filter from the dust container and take the air inlet filter out of the cyclone filter.

#### Illustration O

## ATTENTION

### Short circuit hazard

There are cables or contacts in the dust container and cyclone filter for the power supply. Make sure that the cables or contacts do not get wet when cleaning.

3. Clean the dust container and cyclone filter with a soft brush or a slightly damp cloth.

#### Illustration P

4. Clean the air inlet filter, see chapter *Cleaning the air inlet filter*
5. Re-insert the dry dust container and cyclone filter with air inlet filter into the device and close the flap.
6. Attach the dust container to the handheld device.
  - a Hold the dust container at an angle against the handheld device while holding the top on the hook of the handheld device.
  - b Push the dust container upwards until the hook on the handheld device engages in the slot in the dust container.
  - c The dust container must audibly click into place.

#### Illustration Q

## Clean the exhaust air foam filter/replace the exhaust air foam filter

#### Note

The exhaust air foam filter ensures pure exhaust air.

- Clean the exhaust air foam filter if it is visibly dirty.
- Replace the exhaust air foam filter if damage is visible.

1. Switch off the device.
2. Clean the exhaust air foam filter.
  - a Press both side unlocking buttons at the same time and remove the cover with the exhaust air foam filter.

#### Illustration R

## ATTENTION

### Short circuit hazard

Power supply cables or contacts are located in the cover of the exhaust air foam filter.

Before cleaning with water, remove the cover from the exhaust air foam filter so that the cables or contacts do not get wet.

3. Carefully tap off the exhaust air foam filter or if it is heavily soiled:
  - a Pull off the cover of the exhaust air foam filter.
  - b Clean the exhaust air foam filter under running water. Do not rub or brush off.

## ATTENTION

### Health risk

Exhaust air foam filters that are not completely dry when installed in the device can be a breeding ground for spores and mould.

Make sure that the exhaust air foam filter is completely dry on installation.

- c Then allow the exhaust air foam filter to dry completely.
- d Fasten the cover to the exhaust air foam filter.

#### Illustration S

- e Insert the exhaust air foam filter into the device until it latches into place.
- f Press the cover down in the middle to ensure that the cover sits correctly on the device.

#### Illustration U

4. Replace the exhaust air foam filter.

- a Press both side unlocking buttons at the same time and remove the exhaust air foam filter.

#### Illustration R

- b Remove the cover of the exhaust air foam filter and dispose of the used filter.
- c Fasten the new exhaust air foam filter to the cover.

#### Illustration T

- d Insert the exhaust air foam filter into the device until it latches into place.
- e Press the cover down in the middle to ensure that the cover sits correctly on the device.

#### Illustration U

## Cleaning the multi-function nozzle

1. Switch off the device.
2. Remove accessories.

## ATTENTION

### Short circuit hazard

The multi-function brush contains electrical components.

You must not immerse the multi-function brush in water or clean it with a damp cloth.

3. Clean the multi-function brush.
  - a Unlock the brush roll cover / support with a coin or other object and remove it.

#### Illustration V

- b Remove the brush roll from the brush opening in the direction of the arrow.

#### Illustration W

- c Remove the dirt e.g. with a brush. Any tangled threads or hairs can be carefully cut off with scissors.
- d Carefully clean the brush opening with a cloth or soft brush.

#### Illustration X

- e Insert the brush roll into the brush opening.
- f Lock the brush roll with a coin or other object.

#### Illustration Y

## Cleaning the mini turbo nozzle

1. Switch off the device.
2. Remove accessories.

## ATTENTION

### Short circuit hazard

The mini turbo nozzle contains electrical components. Do not immerse the mini turbo nozzle in water or clean it with water.

3. Clean the mini turbo nozzle.

- a Press down the brush roller cover and remove the brush roller.
- b Remove residue, e.g. with a brush. Any tangled threads or hairs can be carefully cut off with scissors.
- c Carefully clean the brush opening with a cloth or soft brush.

**Illustration Z**

- d Diagonally insert the brush roller fully into the brush opening, pressing upwards until the cover has clicked into place.

**Illustration AA**

- d Diagonally insert the brush roller fully into the brush opening, pressing upwards until the cover has clicked into place.

**Illustration AB**

## Troubleshooting guide

Malfunctions often have simple causes that you can remedy yourself using the following overview. When in doubt, or in the case of malfunctions not mentioned here, please contact your authorised Customer Service.

**The device does not start up**

Battery is empty.

- Charge the rechargeable battery.

Battery is not inserted correctly.

- Push the battery into the mount until it locks into place.

Battery is defective.

- Replace the battery.

**The battery is not charging**

The charging plug/mains plug is not connected correctly.

- Connect the charging plug/mains plug correctly.

The socket is defective.

- Check that the socket is working.

The wrong charger is being used

- Check that the correct charger is being used.

**The device stops during operation or the suction performance is poor**

The battery has overheated.

- Stop work and wait until the battery temperature is back in the normal range.

The accessories, the suction opening on the dust container or the suction pipes are clogged.

- Remove the clog with a suitable aid.

The dust container is full.

- Empty the dust container.

The filters are soiled.

- Clean the filters, see chapter *Care and service*.

Roller brush is blocked.

- Remove any blockage.

**Abnormal engine noise**

The accessories, the suction opening on the dust container or the suction pipes are clogged.

- Remove the clog with a suitable aid.

## Removing and installing the battery

### ATTENTION

**Frequent removal of the battery**

*Frequent removal of the battery can damage the battery.*

*Only remove the battery for maintenance and care if the device is not used for a long period of time or if the device has to be sent for servicing.*

#### Removing the battery

1. Press the unlocking button.
2. Remove the battery from the device.

**Illustration AC**

#### Inserting the battery

### ATTENTION

**Dirty contacts**

*Damage to the device and battery*

*Check the battery mount and the contacts for soiling and clean them as necessary before inserting the battery.*

**Note**


*Use only fully charged batteries.*

1. Push the battery into the mounting in the device until it audibly latches into place.

**Illustration AD**

## Technical data

### Electrical connection

Voltage of charger	V	21,6
Nominal power	W	140
Battery pack type	Li-ION	
Charger	26 V TEK *EU	
Model	YLJXA-E260040	
Part number	9.769-119.0	
Nominal voltage of charger	V	100 - 240
Frequency	Hz	50 - 60
Charging time when the battery is completely discharged	min	345
Protection class		II

### Device performance data


Tank content	l	0,65
Operating time when battery is fully charged in normal operation	min	30
Operating time in maximum mode when battery fully charged	min	18

### Dimensions and weights

Weight (without accessories)	kg	1,55
------------------------------	----	------

Subject to technical modifications.

## البيانات الفنية

توصيل الطاقة		
21,6	V	جهد الشاحن
140	W	إدخال الطاقة المقدر
Li-ION		نوع علبه البطارية
V TEK *EU 26		جهاز الشحن
YLJXA-E260040		الموديل
9.769-119.0		رقم القطعة
- 100 240	V	الجهد الاسمي لجهاز الشحن
60 - 50	Hz	التردد
345	min	وقت الشحن عندما تكون البطارية فارغة بالكامل
II		فئة الحماية
أداء الجهاز		
0,65	I	محتوى الوعاء
30	min	وقت التشغيل عندما تكون البطارية مشحونة بالكامل
18	min	مدة التشغيل عندما تكون البطارية مشحونة بالكامل في وضع التشغيل الأقصى
الأبعاد الوزن		
1,55	kg	الوزن (من دون ملحقات)

المواصفات الفنية خاصة للتعديل.

## مساعدة في حالة حدوث أعطال

في الغالب تكون للاختلالات أسباب بسيطة يمكنك التغلب عليها ببساطة بالاستعانة بالعرض العام التالي. في حالات الشك أو عند حدوث اختلالات غير مذكورة هنا فيرجى التوجه إلى خدمة العملاء المعتمدة.

### الجهاز لا يعمل

البطارية فارغة.

اشحن البطارية.

البطارية غير مركبة بشكل صحيح.

ادفع البطارية في موضعها حتى تثبت في مكانها.

البطارية تالفة.

استبدل البطارية.

### لا يتم شحن البطارية

قابس الشحن/ القابس الكهربائي غير موصل بشكل صحيح.

قم بتوصيل قابس الشحن/القابس الكهربائي بشكل صحيح.

المقبس الكهربائي تالف.

تأكد من أن المقبس الكهربائي يعمل.

قم باستخدام الشاحن الخاطئ.

تأكد من استخدام الشاحن الصحيح.

### الجهاز يتوقف أثناء التشغيل أو قوة الشفط ضعيفة

البطارية ساخنة للغاية.

أوقف العمل وانتظر حتى تصبح درجة حرارة البطارية في النطاق العادي.

انسداد الملحق وفتحة الشفط في وعاء الغبار أو أنابيب الشفط.

أزل الانسداد باستخدام وسائل مساعدة مناسبة.

وعاء الغبار ممتلئ.

أفرغ وعاء الغبار.

الفلاتر متسخة.

قم بتنظيف الفلاتر، انظر فصل *العناية والصيانة*.

انسداد بكرة الفرشاة.

أزل العوائق.

### ضجيج محرك غير طبيعي

انسداد الملحق وفتحة الشفط في وعاء الغبار أو أنابيب الشفط.

أزل الانسداد باستخدام وسائل مساعدة مناسبة.

## فك وتركيب البطارية

### تنبيه

**فك البطارية بشكل متكرر**

قد يؤدي الفك المتكرر إلى تلف البطارية.

اقتصر على خلع البطارية لأعمال الصيانة

والعناية إذا لم يستخدم الجهاز لفترة طويلة أو كان من اللازم إرسال الجهاز لأغراض الخدمة.

### إخراج البطارية

1. اضغط زر التحرير.

2. إخراج البطارية من الجهاز.

### صورة إيضاحية AC

### تركيب البطارية

### تنبيه

**الملامس متسخة**

أضرار بالجهاز والبطارية

أفحص موضع البطارية والملامسات قبل التركيب للتحقق من عدم وجود أتساخات وتظيفها عند اللزوم.

### إرشاد

لا تستخدم إلا بطاريات مشحونة بالكامل فقط.

1. دفع البطارية في موضعها حتى تثبت بصوت مسموع.

### صورة إيضاحية AD

### صورة إيضاحية R

اخلع غطاء الفلتر الأسفنجي الطارد للهواء وتخلص من

الفلتر المستهلك.

c قم بتثبيت الفلتر الأسفنجي الطارد للهواء الجديد في الغطاء.

### صورة إيضاحية T

d أدخل الفلتر الأسفنجي الطارد للهواء في الجهاز حتى يثبت

في مكانه.

e للتأكد من تثبيت الغطاء على الجهاز بشكل صحيح، اضغط

على الغطاء من المنتصف.

### صورة إيضاحية U

### تنظيف الفرشاة متعددة الوظائف

1. أطفئ الجهاز.

2. اخلع الملحقات.

### تنبيه

#### خطر دائرة قصر

تحتوي الفرشاة متعددة الوظائف على مكونات كهربائية.

يجب ألا يتم غمر الفرشاة متعددة الوظائف في الماء أو تنظيفها

بقطعة قماش مبللة.

3. قم بتنظيف الفرشاة متعددة الوظائف.

a افتح غطاء حامل بكرة الفرشاة بعملة معدنية أو أي أداة

أخرى، ثم اخلعه.

### صورة إيضاحية V

b اخلع بكرة الفرشاة من فتحة الفرشاة في اتجاه السهم.

### صورة إيضاحية W

c أزل الأتساخات، مثلاً بفرشاة. يمكن قطع أي خيوط أو شعر

مشابك بعناية باستخدام مقص.

d نظّف فتحة الفرشاة بعناية بقطعة قماش أو فرشاة ناعمة.

### صورة إيضاحية X

e أدخل بكرة الفرشاة في فتحة الفرشاة.

f قم بقفل بكرة الفرشاة بعملة معدنية أو أي أداة أخرى.

### صورة إيضاحية Y

### تنظيف الفوهة التوربو الصغيرة

1. أطفئ الجهاز.

2. اخلع الملحقات.

### تنبيه

#### خطر دائرة قصر

تحتوي الفوهة التوربو الصغيرة على أجزاء كهربائية.

تجنب غمر الفوهة التوربو الصغيرة في الماء أو تنظيفها وهي رطبة.

3. نظّف الفوهة التوربو الصغيرة.

a اضغط غطاء بكرة الفرشاة لأسفل وأزل بكرة الفرشاة.

### صورة إيضاحية Z

b أزل المخلفات، مثلاً باستخدام فرشاة. يمكن قطع أي خيوط

أو شعر مشابك بعناية باستخدام مقص.

c نظّف فتحة الفرشاة بعناية بقطعة قماش أو فرشاة ناعمة.

### صورة إيضاحية AA

d أدخل بكرة الفرشاة بشكل مائل وبالكامل في فتحة

الفرشاة، وأثناء ذلك اضغط لأعلى حتى يثبت الغطاء.

### صورة إيضاحية AB

2. اضغط على زر تحرير وعاء الغبار واخلع وعاء الغبار من الجهاز المحمول باليد.
- صورة إيضاحية N**
- a قم بخل الفلتر الدوامي من وعاء الغبار من خلال تدويره عكس اتجاه عقارب الساعة.
- b أخرج الفلتر الدوامي من وعاء الغبار وقلتر مدخل الهواء من الفلتر الدوامي.
- صورة إيضاحية O**

### تنبيه

#### خطر دائرة قصر

توجد كابلات أو ملامسات في وعاء الغبار والفلتر الدوامي للامداد بالطاقة.

تأكد من عدم تعرض الكابلات أو الملامسات للرطوبة عند التنظيف.

3. قم بتنظيف وعاء الغبار والفلتر الدوامي بفرشاة ناعمة أو قطعة قماش مبللة قليلاً.

#### صورة إيضاحية P

4. قم بتنظيف فلتر مدخل الهواء، انظر فصل تنظيف فلتر مدخل الهواء

5. أعد تركيب وعاء الغبار الجاف والفلتر الدوامي مع فلتر مدخل الهواء في الجهاز وأغلق الغطاء.

6. قم بتثبيت وعاء الغبار في الجهاز المحمول باليد.

a امسك وعاء الغبار بشكل مائل على الجهاز المحمول باليد وقم بتثبيت الجزء العلوي على مشبك الجهاز المحمول باليد.

b اضغط وعاء الغبار لأعلى حتى يتم تعشيق المشبك الموجود بالجهاز المحمول باليد في الفتحة بوعاء الغبار.

c يجب أن يثبت وعاء الغبار بصوت مسموع.

#### صورة إيضاحية Q

### تنظيف الفلتر الأسفنجي الطارد للهواء / استبدال الفلتر الأسفنجي الطارد للهواء

#### إرشاد

يضمن الفلتر الأسفنجي الطارد للهواء طرد هواء نقى.

• نظف الفلتر الأسفنجي الطارد للهواء إذا كان متسخاً بشكل واضح.

• استبدل الفلتر الأسفنجي الطارد للهواء إذا كان به ضرر واضح.

1. أطفئ الجهاز.

#### 2. تنظيف الفلتر الأسفنجي الطارد للهواء.

a اضغط على كلا زرّي التحرير الجانبيين في نفس الوقت واخلع الغطاء مع الفلتر الأسفنجي الطارد للهواء.

#### صورة إيضاحية R

### تنبيه

#### خطر دائرة قصر

توجد كابلات أو ملامسات في غطاء الفلتر الأسفنجي الطارد للهواء للامداد بالطاقة.

قبل التنظيف بالماء، اخلع غطاء الفلتر الأسفنجي الطارد للهواء حتى لا تتعرض الكابلات أو الملامسات للرطوبة.

3. الضغط بحذر على الفلتر الأسفنجي الطارد للهواء أو إذا كان متسخاً للغاية:

a اسحب غطاء الفلتر الأسفنجي الطارد للهواء.

b قم بتنظيف الفلتر الأسفنجي الطارد للهواء تحت ماء الصنبور. عدم استخدام الفرش أو التنظيف بالفرشاة.

### تنبيه

#### خطر على الصحة

الفلتر الأسفنجي الطارد للهواء التي يتم تركيبها في الجهاز دون تجفيفها بالكامل قد تكون أرضاً خصبة للجراثيم والعفن الفطري.

تأكد من جفاف الفلتر الأسفنجي الطارد للهواء تماماً عند التركيب.

c ثم اترك الفلتر الأسفنجي الطارد للهواء يجف تماماً.

d قم بتثبيت الغطاء في الفلتر الأسفنجي الطارد للهواء.

#### صورة إيضاحية S

e أدخل الفلتر الأسفنجي الطارد للهواء الجاف في الجهاز حتى يثبت في مكانه.

f للتأكد من تثبيت الغطاء على الجهاز بشكل صحيح، اضغط على الغطاء من المنتصف.

#### صورة إيضاحية U

#### 4. استبدال الفلتر الأسفنجي الطارد للهواء.

a اضغط على كلا زرّي التحرير الجانبيين في نفس الوقت واخلع الفلتر الأسفنجي الطارد للهواء.

### فرشاة توربو صغيرة

تتكفل بالإزالة الفعالة لشعر الحيوانات الأليفة وجزئيات الغبار الموجودة على المفروشات أو المراتب أو الأسطح الناعمة الأخرى. تلتقط الفرشاة المستديرة الدوارة الشعيرات الدقيقة للغاية.

### فوهة شقوق ذات لمبة LED

لتنظيف الزوايا والمناطق التي يصعب الوصول إليها. ويفصل الإضاءة، يمكن رؤية الأتربة الناعمة للغاية في الفجوات المظلمة.

### فرشاة ناعمة ألبة (فوهة الأرضيات الصلبة)

للأرضيات الصلبة والأرضيات الخشبية الحساسة. تمتص التآخات الخشنة والناعمة في نفس الوقت.

### الشحن

تم اختبار البطارية وفقاً للوائح المعنية للاتفاقيات الدولية للنقل وبسبب أن يتم نقلها / إرسالها.

### التخزين

#### تنبيه

#### الرطوبة والحرارة

#### خطر التعرض لضربة

اقصر على تخزين البطارية في الأماكن الداخلية الجافة ذات الرطوبة المنخفضة الأقل من 20°م.

### العناية والصيانة

#### تعليمات العناية العامة

- يجب العناية بالجهاز والملحقات البلاستيكية وتنظيفها بمنظف البلاستيك المتداول في الأسواق.

### تنظيف فلتر مدخل الهواء

#### إرشاد

يمكن تنظيف الجهاز يدوياً أو باستخدام جهاز تنظيف الفلتر.

1. أطفئ الجهاز.

2. تنظيف فلتر مدخل الهواء يدوياً.

a اسحب فلتر مدخل الهواء المتسخ لأسفل من قضيب الفلتر، ثم انفضه بحذر ونظفه بقطعة قماش مبللة أو تحت ماء الصنبور.

b أعد تركيب فلتر مدخل الهواء المجفف تماماً.

c تحقق من التثبيت الصحيح.

3. تنظيف فلتر مدخل الهواء بجهاز تنظيف الفلتر.

#### إرشاد

يجب تركيب فلتر مدخل هواء جديد في وعاء الغبار أثناء تنظيف الفلتر.

a أدخل جهاز تنظيف الفلتر على فوهة أنبوب الشفط واسحب فلتر مدخل الهواء خارج الجهاز من قضيب الفلتر.

b أدخل فلتر مدخل الهواء المتسخ في جهاز تنظيف الفلتر.

c أدخل فلتر مدخل هواء جديداً في وعاء الغبار.

d قم بتشغيل الجهاز واتركه يعمل في وضع التعزيز مع تدوير الغطاء الجانبي أثناء ذلك.

e قم بإزالة فلتر مدخل الهواء النظيف من أداة تنظيف الفلتر وأعد إدخاله في وعاء الغبار بعد إزالة فلتر مدخل الهواء الجديد.

f تحقق من التثبيت الصحيح لفلتر مدخل الهواء.

### تنظيف وعاء الغبار والفلتر الدوامي

#### إرشاد

يمكن تنظيف وعاء الغبار والفلتر الدوامي مع خلج وعاء الغبار أو يدوياً.

نوصي بخلج وعاء الغبار من الجهاز لتنظيفه بسهولة.

إرشاد

قم بتفريغ وعاء الغبار قبل تنظيف وعاء الغبار والفلتر الدوامي، انظر فصل إيقاف التشغيل.

1. أطفئ الجهاز.

2. اخلع أنبوب الشفط أو الملحقات.
3. أفرغ وعاء الغبار في سلة المهملات.
- a اضغط على زر التحرير.  
يفتح غطاء وعاء الغبار.
- b أفرغ وعاء الغبار.  
للاغلاق، اضغط غطاء وعاء الغبار لأعلى حتى يثبت.
4. قم بتنظيف فلتري مدخل الهواء، انظر فصل تنظيف فلتري مدخل الهواء.
5. قم بتهيئة الجهاز على الحامل الجداري.
6. **صورة إيضاحية E**  
شحن الجهاز، انظر فصل شحن البطارية.
- 7.

## استخدام الملحقات

### تعليمات الاستخدام العامة

- يظهر على عبوة تغليف الجهاز الملحقات التي تتوفر ضمن مجموعة التجهيزات الموردة.
- يمكن شراء الملحقات غير المدرجة في عبوة التغليف من تاجر متخصص في منتجات KÄRCHER أو عبر الموقع [www.kaercher.com](http://www.kaercher.com).
- افحص الملحقات على منطقة غير لافتة قبل استخدامها على موضع حساس.
- انبع تعليمات التنظيف الصادرة عن الشركة المصنعة.
- قم بتوصيل الفوهة الكهربائية المزودة بمحرك بأنبوب الشفط أو الجهاز المحمول باليد.
- قم بتوصيل الملحقات الأخرى، مثل فوهة الشقوق بالجهاز المحمول باليد أو أدخلها مباشرة على أنبوب الشفط لزيادة نطاق الوصول.

### فرشاة متعددة الوظائف مزودة بمحرك

- مثالية للأرضيات الصلبة والسجاد.
- تستطيع الفرشاة متعددة الوظائف المزودة بمحرك إزالة الاتساخات العالقة في الألياف السجاد بشكل فعال للغاية.

### فوهة تتجدد في 2 في 1

- يمكن إزالة الاطار مع الشجيرات المحيطة بالضغط على زر التحرير.
- الفرشاة الناعمة مناسبة لقطع الأثاث ذات الأسطح الصلبة
- تستخدم الفرشاة العريضة لتنظيف الأثاث المنجد والستائر وما إلى ذلك.

### فوهة الشقوق

- للحواف والشقوق والسحانات والمناطق التي يصعب الوصول إليها.

### فرشاة ناعمة

- تتميز الفرشاة الناعمة بشعيرات ناعمة للغاية لتنظيف الأسطح الحساسة، مثل لوحات المفاتيح والمصابيح وما إلى ذلك.

### فوهة شقوق مرنة

- تعمل فوهة الشقوق المرنة على زيادة نطاق الوصول. لتنظيف المناطق التي يصعب الوصول إليها مثل المناطق الموجودة بين مقاعد السيارة.

### خرطوم التمديد المرين

- بفضل التمديد والمرنة، يمكن الوصول إلى المناطق التي يصعب الوصول إليها، مثلاً في السيارة، وتنظيفها.

### فوهة المفروشات الكبيرة

- لتنظيف الأسطح القماشية مثل الأرائك والكراسي والمراتب ومقاعد السيارات وما إلى ذلك.

### فرشاة تنظيف الأثاث في 2 في 1

- لتنظيف الأرائك والأثاث الحساس برفق. وحسب اللزوم، يمكن استخدام الملحقي كفوّهة تنظيف الأثاث أو تنظيف المفروشات عن طريق الضغط على الزر.

## التشغيل

### بيان LED

تعرض لمبة LED الموجودة على رأس الجهاز معلومات حول مستوى شحن البطارية وبيانات الخطأ.

لمبة LED	مدة الإضاءة	المعنى
تضيء باللون الأخضر	باستمرار	البطارية مشحونة
تومض باللون الأخضر	1 ثانية تشغيل / 1 ثانية إيقاف	دقيقتان من زمن التشغيل المتبقي (1- دقيقة / 2+ دقيقة)
تومض باللون الأخضر	125 مل ثانية تشغيل / 125 مل ثانية إيقاف	خلل في البطارية

يمكن قراءة التقدم عند شحن البطارية من خلال لمبة LED الخضراء. تضيء لمبة LED فقط عند تركيب البطارية بشكل صحيح.

أثناء الشحن

لمبة LED	مدة الإضاءة	المعنى
تومض باللون الأخضر	0.2 ثانية من إيقاف إلى تشغيل / 0.6 ثانية تشغيل / 0.2 ثانية من تشغيل إلى إيقاف / 1 ثانية إيقاف	البطارية قيد الشحن
تضيء باللون الأخضر	إضاءة مستمرة لمدة دقيقتين، ثم إيقاف	البطارية مشحونة بالكامل

بلاغ الخطأ

لمبة LED	مدة الإضاءة	المعنى
تومض باللون الأحمر	125 مل ثانية تشغيل / 125 مل ثانية إيقاف	فوهة تنظيف الأرضيات مسدودة

### تغيير الملحقات

تغيير الملحقات، انظر فصل تركيب الملحقات

### شفط

1. قم بتركيب الملحقات المرغوبة، انظر فصل تركيب الملحقات.
2. قم بتشغيل الجهاز حسب متطلبات التنظيف:
  - اضغط على مفتاح التشغيل/الإيقاف واحتفظ به مضغوطاً أثناء التشغيل.
  - أو
  - قم بتحويل الجهاز إلى التشغيل المستمر مباشرةً من خلال تدوير ذراع تأمين الوقوف.

3. وإذا لزم الأمر، اضغط على زر التعزيز لزيادة تجميع الغبار.

### صورة إيضاحية H

### صورة إيضاحية I

**إرشاد**  
عند إيقاف تشغيل الجهاز، يتم إيقاف فعالية وظيفة التعزيز تلقائياً. يمكن أيضاً إيقاف وظيفة التعزيز بالضغط على زر التعزيز مرة أخرى.

### إيقاف التشغيل

1. اطفئ الجهاز.  
أترك مفتاح التشغيل/الإيقاف أو أوقف فعالية ذراع تأمين الوقوف.
- إرشاد**  
لضمان قوة شفط مثالية، قم بتفريغ وعاء الغبار وتنظيف فلتري مدخل الهواء بعد كل استخدام.



## الملحقات التكميلية وقطع الغيار

استخدام الملحقات التكميلية الأصلية وقطع الغيار الأصلية فقط. والتي تضمن تشغيل الجهاز بشكل آمن وخالٍ من الاختلالات. تجد المعلومات الخاصة بالملحقات التكميلية وقطع الغيار على الموقع [www.kaercher.com](http://www.kaercher.com).

## الضمان

يسري في كل دولة شروط الضمان التي تضعها شركة التسويق المتخصصة التابعة لنا. نحن نتولى إصلاح الأخطاء التي قد تطرأ على جهازك خلال فترة الضمان بدون مقابل، عندما يكون سبب هذه الأعطال ناجم عن عيب في المواد المستخدمة أو في عملية التصنيع. في حالة استحقاق الضمان، توجّه من فضلك بقسيمة الشراء إلى أقرب موزع أو مركز خدمة عملاء معتمد. (العنوان على الصفحة الخلفية)

## محتوى التسليم

محتوى تسليم الجهاز مصور على العبوة. تأكد من وجود جميع محتويات العبوة عند فتحها. وفي حالة نقص أية ملحقات تكميلية أو اكتشاف أي تلف بها ناتج عن عملية النقل، يرجى إخطار البائع.

## مواصفات الجهاز

يتم عرض مجموعة التجهيزات الموردة للجهاز (حسب الموديل) على عبوة التغليف. يصف دليل التشغيل هذا جميع الخيارات المتاحة. للأشكال، انظر صفحة الصورة.

### صورة إيضاحية A

- 1 لمبة البيان LED للبطارية/بلاغ الخطأ
- 2 أزرار التحرير لإزالة الفلتر الأسفنجي الطارد للهواء
- 3 غطاء الفلتر الأسفنجي الطارد للهواء
- 4 زر وظيفة التعزيز (زيادة قوة الشفط)
- 5 مفتاح التشغيل/الإيقاف المزود بذراع تأمين الوقوف
- 6 مقبض
- 7 بطارية قابلة للاستبدال
- 8 زر تحرير البطارية
- 9 زر التحرير لإزالة وعاء الغبار
- 10 فلتر مدخل الهواء
- 11 غطاء وعاء الغبار
- 12 وعاء غبار قابلة للخلع
- 13 زر تحرير غطاء وعاء الغبار
- 14 فتحة الشفط، بوعاء الغبار
- 15 فرشاة كهربائية مزودة بمحرك مع بكرة فرشاة عامة

16 أنبوب الشفط

17 فوهة الشقوق

18 حامل جداري

19 جهاز الشحن

20 \*\* فوهة تنظيف المفروشات 2 في 1

21 \*\* خرطوم التمديد المرن

22 \*\* فوهة شقوق مرنة

23 \*\* فوهة تنظيف المفروشات الكبيرة

24 \*\* فرشاة تنظيف الأثاث 2 في 1

25 \*\* فرشاة توربو صغيرة

26 \*\* فرشاة ناعمة

27 \*\* فوهة شقوق ذات لمبة LED

28 \*\* فلتر مدخل الهواء

29 \*\* أداة تنظيف الفلتر

30 \*\* فرشاة ناعمة آلية (فوهة الأرضيات الصلبة)

\*\* اختياري

## تركيب الحامل الجداري

تشتمل مجموعة التجهيزات الموردة على حامل جداري مع براغي وخواير فيشر لتخزين المكنسة الكهربائية بعناية.

### إرشاد

قم بتركيب الحامل الجداري في مكان مناسب باستخدام البراغي وخواير فيشر المرفقة.

لتخزين الجهاز بشكل آمن، يجب وضع الحافة السفلية للحامل الجداري على مسافة 1,04 م من الأرضية.

### صورة إيضاحية E

### تنبيه

#### أضرار مادية بسبب التركيب غير الصحيح

قد يؤدي التركيب غير الصحيح إلى إتلاف كل من الجهاز والأرضية من خلال سقوطه.

استخدم أدوات التثبيت المناسبة للتثبيت على الحائط.

عند اختيار عناصر التثبيت احرص على مراعاة وزن الجهاز والقدرة التحميلية لموضع التركيب.

### ⚠ تحذير

#### خطر التعرض لصدمة كهربائية والإصابة

تأكد من عدم وجود كابلات كهربائية أو أنابيب ماء أو غاز في الحائط حول منطقة التركيب.

## بدء التشغيل

### تركيب الملحقات

### إرشاد

يتم تشغيل الفرشاة متعددة الوظائف أيضاً بواسطة محرك مدمج خاص بها، وبالتالي يجب توصيلها دائماً بالجهاز المحمول باليد أو أنبوب الشفط لضمان الإمداد بالطاقة.

يمكن أيضاً استخدام جميع الملحقات الأخرى مباشرة مع الجهاز المحمول باليد أو مع أنبوب الشفط لزيادة نطاق الوصول.

● ادفع أنبوب الشفط على فتحة الشفط، بوعاء الغبار حتى يثبت بصوت مسموع.

● اضغط على زر التحرير واخلع أنبوب الشفط من فتحة الشفط.

### صورة إيضاحية B

● ادفع فوهة تنظيف الأرضيات على أنبوب الشفط حتى تثبت بصوت مسموع.

● اضغط على زر التحرير واخلع فوهة تنظيف الأرضيات من فتحة الشفط.

### صورة إيضاحية C

● أدخل الملحق، مثل فوهة الشقوق على فتحة الشفط لوعاء الغبار أو أنبوب الشفط حتى يثبت بصوت مسموع.

### صورة إيضاحية D

### شحن البطارية

### إرشاد

يتم توريد الجهاز بدون بطارية مشحونة. اشحن البطارية بالكامل قبل التشغيل لأول مرة.

يرجى مراعاة تعليمات السلامة المرفقة للمكانس الكهربائية العاملة ببطارية.

1. للشحن، قم بتثبيت الجهاز بالحامل الجداري المرفق في مجموعة التجهيزات الموردة.

### صورة إيضاحية E

2. قم بتوصيل الشاحن في المقبس.

أدخل قابس التوصيل في مقبس الشحن الخاص بالجهاز. تومض لمبات البيان LED باللون الأخضر أثناء عملية الشحن.

### صورة إيضاحية F

3. عند شحن الجهاز بالكامل، تضيء لمبة البيان LED باللون الأخضر باستمرار لمدة دقيقتين، ثم تنطفئ.

اخلع الشاحن من المقبس الكهربائي ومقبس الشحن. اخلع الجهاز من الحامل الجداري.

## رموز على عبلة البطارية

(اعتماداً على نوع الجهاز / البطارية)

لا ترم البطارية في المياه.	
لا ترم البطارية في النار.	
لا تتشحن عبلة البطاريات التالفة.	
لا تستخدم عبلة البطارية إلا مع أجهزة الشحن المسموح بها. يمكن العثور على معلومات عن نوع الشاحن الذي يجب استخدامه على اللوحة الاسمية للشاحن المورد وأو في التعليمات التشغيل الخاصة بالجهاز.	

## إرشادات السلامة للنقل

يخضع بطارية الليثيوم-أيون لمتطلبات قانون الصانع الخطرة. يمكن نقل عبلة البطارية غير التالفة والقابلة للتشغيل من قبل مطران دون مرسومات أخرى ضمن النقل العام. قم بمراعاة المتطلبات الخاصة للتعبنة والتمييز عند نقلها من قبل طرف ثالث (شركات النقل). قم بإرسال عبلة البطارية إذا كانت العبلة غير تالفة فقط. قم بفك اللصق من الجهات المفتوحة. قم بتعبئة عبلة البطارية بإحكام، وبأمان. لا يُسمح بأن تتحرك عبلة البطارية في العبوة.

## ⚠️ خطر

• يجب عدم شحن عبلة البطاريات المعيبة أو غير القابلة للتشغيل، ويجب التخلص منها في الموقع وفقاً للوائح المعمول بها. عليك مراعاة اللوائح الوطنية.

## الاستخدام المطابق للتعليمات

- استخدم الجهاز للاستعمال المنزلي فقط.
- الجهاز مخصص لتنظيف الأرضيات الجافة فقط
- بعد ما يلي استخداماً غير مطابق للغرض:
- شطف الأشخاص أو الحيوانات أو النباتات أو الملابس على الجسم.
- شطف الماء أو السوائل الأخرى.
- شطف الرماد المتوهج أو الفحم أو السجائر أو غيرها من المواد القابلة للاشتعال أو التي تشتعل بسهولة.
- الاستخدام بالقرب من المواد المتفجرة أو سهلة الاشتعال.

## حماية البيئة

المواد المستخدمة في التغليف قابلة لإعادة التدوير. يرجى التخلص من مواد التغليف بطريقة تحافظ على البيئة. تحتوي الأجهزة الكهربائية والإلكترونية على مواد قيمة قابلة لإعادة التدوير وغالباً ما تحتوي أيضاً على مكونات مثل البطاريات أو المراكمات أو الزيوت والتي قد تشكل خطورة على صحة الإنسان والبيئة في حالة التعامل معها بشكل غير صحيح أو إذا تم التخلص منها بصورة خاطئة. إن أن هذه المكونات ضرورية لتشغيل الجهاز بصورة سليمة. لا يجوز التخلص من الأجهزة المميزة بهذا الرمز مع النفايات المنزلية.

## إرشادات حول مواد المحتويات (REACH)

تجد المعلومات الحالية حول المحتويات على الموقع:  
www.kaercher.de/REACH


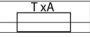

مفتوحة. • لا تشد قابس الشبكة من كابل الشبكة من المقبس. • لا تحمل/لا تنقل جهاز الشحن من كابل وصلة الشبكة.

**تنبيه** • خطر الماس الكهربائي. قم بحماية ملامسات حامل البطارية من الأجزاء المعدنية. • استخدم وخرن جهاز الشحن في الأماكن الجافة فقط.

**إرشاد** • يمكن العثور على معلومات عن نوع الشاحن / المحول الذي يجب استخدامه على اللوحة الاسمية للشاحن المورد وأو في البيانات الفنية في تعليمات التشغيل الخاصة بالجهاز.

## رموز موجودة على جهاز الشحن

(بحسب الشاحن)

عليك حماية الجهاز من البلا. خرّن الجهاز في مكان جاف. لا تضع الجهاز تحت المطر. الجهاز يصلح للاستخدام الداخلي فقط.	
يحتوي الجهاز على مصهر مدمج. القيمة (X) بالأمبير موجودة على الشاحن المعنى.	
الجهاز يفى بمتطلبات فئة الحماية II.	

## تعليمات السلامة، البطارية / عبلة البطارية

### ⚠️ خطر

- لا تقم بشحن عبلة البطارية في مكان قابل للانفجار.
- لا ترمي عبلة البطاريات في النار أو في القمامة المنزلية.
- تجنب ملامسة السائل المتسرب من البطاريات التالفة. عليك شطف السائل في حالة ملامسته فوراً بالماء وفي حالة ملامسته العين قم بالإضافة إلى ذلك باستشارة الطبيب.
- خطر الانفجار. عدم شحن البطاريات غير القابلة لإعادة الشحن.

### ⚠️ تحذير

- تأكد من تطابق فولطية عبلة البطارية مع البيانات المذكورة على اللوحة الاسمية للجهاز المستخدم.
- افحص عبلة البطارية قبل كل عملية تشغيل من حيث وجود أضرار لا تقم باستخدام عبلة بطارية تالفة.
- لا تقوم بشحن حزم بطاريات تالفة.
- قم باستبدال حزم البطاريات التالفة بأخرى معتمدة من قبل شركة كارشر.
- لا تطبق على الأجهزة المزودة ببطارية مدمجة ثابتة
- لا تفتح حزمة البطارية. لا يقوم بإجراء الإصلاحات سوى طاقم العمل المؤهل.
- لا تتشحن عبلة البطارية إلا مع أجهزة الشحن المسموح بها.
- لا تقم بشحن البطارية بدون مراقبة. تحقق من حالة البطارية وجهاز الشحن بانتظام أثناء عملية الشحن.
- افصل الشاحن عن شبكة الكهرباء والبطارية عن الشاحن ولا تستخدم الشاحن والبطارية إذا لاحظت وجود عيب أو روائح غير عادية أو إذا ظهرت حرارة غير عادية أثناء الشحن. اتصل بخدمة العملاء المعتمدة.
- لا تقم بإزالة أي بطاريات مثبتة.

### ⚠️ تنويه

- خطر قصر الدائرة. قم بحماية أطراف عبلة البطارية من الأجزاء المعدنية.
- لا تستخدم عبلة البطارية في حالة رطبة أو ممتسخة. قبل الاستخدام أترك عبلة البطارية والوصلات لتجف بالكامل.
- أخرج عبلة البطارية من الجهاز قبل إجراء جميع أعمال الصيانة والعناية.
- لا تطبق على الأجهزة المزودة ببطارية مدمجة ثابتة

### تنبيه

- خطر قصر الدائرة. لا تتحفظ بعبلة البطاريات مع أي أشياء معدنية.
- لا تترك عبلة البطارية أسفل المياه.
- قم بحماية عبلة البطارية من الحرارة، والحواف الحادة، والزيوت وأجزاء الجهاز المتحركة.
- عدم تعريض عبلة البطارية لأعباء ميكانيكية.
- قم بشحن عبلة البطارية في مكان جاف.

## المحتويات

18.....	الاستخدام المطابق للتعليمات
18.....	حماية البيئة
17.....	الملحقات التكميلية وقطع الغيار
17.....	الضمان
17.....	محتوى التسليم
17.....	مواصفات الجهاز
17.....	تركيب الحامل الجداري
17.....	بدء التشغيل
16.....	التشغيل
16.....	استخدام الملحقات
15.....	الشنح
15.....	التخزين
15.....	العناية والصيانة
14.....	مساعدة في حالة حدوث أعطال
14.....	فك وتركيب البطارية
13.....	البيانات الفنية

## إرشادات السلامة خاصة بالمكنسة المزودة ببطارية



- اقرأ إرشادات السلامة هذه ودليل التشغيل الأصلي أيضا قبل استخدام الجهاز لأول مرة. ثم تصرف طبقا لذلك. حافظ على كلا الكتابين احتفظ بالكتاب الرجوع إليه في المستقبل أو لأصحاب المستقبل.
- عليك إلى جانب الإرشادات الواردة في دليل التشغيل مراعاة القواعد العامة للسلامة والوقاية من الحوادث والتي يحددها المشرع القانوني.
- تشير علامات الإرشاد والتحذير الموجودة على الجهاز إلى الإرشادات الهامة للتشغيل الآمن.
- اعتمادا على نوع الجهاز، تم تركيب البطارية / علبة البطارية بشكل دائم أو بشكل يمكن استبدالها، يجب عدم استبدال البطاريات / علب البطاريات الممتلئة بشكل دائم. يرجى الرجوع إلى تعليمات التشغيل الخاصة بالجهاز لمعرفة ما ينطبق على جهازك.

تتكون البطارية من عنصر تخزين واحد، أما علبة البطارية فتتكون من عناصر التخزين مترابطة مع بعضها.

يتم في الفصول التالية استخدام كلا المصطلحين كمرادف لبعضهما البعض.

### درجات الخطر

#### ⚠️ خطر

- إشارة إلى خطر مباشر وشيك الحدوث وقد يؤدي إلى إصابات جسدية بالغة أو إلى الوفاة.

#### ⚠️ تحذير

- إشارة إلى موقف قد تحفه المخاطر وقد يؤدي إلى إصابات جسدية بالغة أو إلى الوفاة.

#### ⚠️ تنبيه

- إشارة إلى موقف قد تحفه المخاطر وقد يؤدي إلى إصابات بسيطة.
- إشارة إلى موقف قد تحفه المخاطر وقد يؤدي إلى حدوث أضرار مادية.

### تعليمات السلامة العامة

- ⚠️ **خطر** • خطر الاختناق. يجب عليك إبعاد أكياس التعبئة والتغليف عن متناول الأطفال. • يمنع منعاً باتاً التشغيل في المناطق القابلة للانفجار. • خطر الانفجار
- تجنب استخدام الجهاز في شفت الأتربة أو السوائل أو الغازات القابلة للاشتعال.
- تجنب استخدام الجهاز في شفت غبار المعادن التفاعلية (على سبيل المثال، الألومنيوم، والمغنيسيوم، والزنك).
- تجنب استخدام الجهاز في شفت الماء المالح أو الأحماض غير المخففة.

- تجنب استخدام الجهاز لشفط أي مواد/أجسام تحترق أو يتصاعد منها الدخان.

قد تسبب هذه المواد في تآكل المواد المستخدمة في الجهاز.

⚠️ **تحذير** • استخدم الجهاز وفقا للغرض المحدد له فقط. عليك مراعاة الظروف المحيطة والانتباه عند استخدام الجهاز إلى الأشخاص الآخرين وخاصة الأطفال منهم. • يسمح للأشخاص الذين لديهم قدرات بدنية أو حسية أو عقلية محدودة أو الذين لا يتوافر لديهم الخبرة والمعرفة الكافية، أن يستخدموا الجهاز بشرط الإشراف عليهم بشكل صحيح، أو إذا تم بعد حصولهم على تعليمات بشأن كيفية الاستخدام الآمن للجهاز من قبل شخص مسؤول عن سلامتهم ومعرفتهم بالمخاطر المرتبطة به. • لا يسمح باستخدام الجهاز إلا من قبل الأشخاص الذين تم إرشادهم إلى كيفية استخدام الجهاز، أو الذين أثبتوا قدرتهم على استخدام الجهاز وتم تكليفهم صراحة باستخدامه. • لا يسمح للأطفال بتشغيل الجهاز. • يمكن أن يتم استخدام الجهاز من قبل صغار السن بدءا من 8 سنوات على الأقل بشرط أن يتم المحافظة على سلامتهم عن طريق تعليمهم كيفية استخدام الجهاز من قبل شخص متخصص ووضويعهم تحت المراقبة وكذلك فهمهم للأخطار الناتجة عنه. • يجب مراقبة الأطفال للتأكد من عدم لعبهم بالجهاز. • يسمح للأطفال القيام بعملية التنظيف والصيانة بشرط أن يتم الإشراف عليهم. • عليك الالتزام في المناطق الخطرة (محطات الوقود مثلا) بقواعد السلامة الخاصة بهذه المناطق. عدم تشغيل الجهاز في مناطق معرضة للانفجار على الإطلاق. • استخدم الجهاز وفقا للغرض المحدد له فقط. عليك مراعاة الظروف المحيطة والانتباه عند استخدام الجهاز إلى الأشخاص الآخرين وخاصة الأطفال منهم. • يحتوي الجهاز على أجزاء كهربائية، فلذلك لا تقم بتنظيف الجهاز تحت الماء الجاري. • خطر الإصابة. لا تستخدم الفوهة وأنبوب الشفط أو ارتفاع رأسه. • تجنب التشغيل غير المقصود. تأكد من أن زر التشغيل/ الأيقاف يتواجد في وضع الأيقاف قبل توصيل علبة البطارية، قبل رفع أو حمل الجهاز. • لا يسمح بشحن أو تخزين الجهاز في الهواء الطلق أو في السيارة.

⚠️ **تنويه** • تجهيزات السلامة تخدم حمايتك. لا تقم بتغيير أو تجاوز تجهيزات السلامة أبدا. • لا تستخدم الجهاز إذا تعرض لسقوط مسبقا أو عند وجود تلفيات واضحة أو أن يكون غير محكم. • لا تترك الجهاز دون مراقبة أبدا طالما يكون مشغلا. • لا تستخدم ولا تخزن الجهاز إلا وفقا للشعر أو الصور فقط. • تنفادي وقوع الحوادث أو الإصابات، يتعين عليك مراعاة وزن الجهاز عند نقله. • حوادث وأضرار ناجمة عن سقوط الجهاز. يجب عليك ضمان السلامة قبل إجراء أي عمل على الجهاز أو قبل استخدام الجهاز. • لا تقم بإجراء أي تغييرات على الجهاز ولا تستخدم سوى الملحقات وقطع الغيار الموصى بها من قبل الشركة المصنعة. • خطر الإصابة عند التقاط أجزاء الجهاز المتحركة للملابس الفضفاضة أو الشعر أو الخلي. ابعده الملابس والخلي عن الأجزاء المتحركة للماكينة. اربط الشعر الطويل إلى الخلف.

⚠️ **تنبيه** • لا تستخدم الجهاز عندما تكون درجات الحرارة تحت 0° مئوية. • تجنب استخدام الجهاز دون قفل، فقد يؤدي ذلك إلى تلف الجهاز. • استخدم الجهاز في الأماكن الداخلية فقط.

### إرشادات السلامة لجهاز الشحن

⚠️ **خطر** • لا تلمس القابس الكهربائي والمقيس بأيدي مبللة بالماء نهائياً. • خطر الانفجار. عدم شحن البطاريات غير القابلة لإعادة الشحن. • لا تستخدم جهاز الشحن في الأماكن القابلة للانفجار. • لا تقوم أبداً بإدخال أي أشياء موصلة للتيار مثلا مفك براغي أو ما ينشبه ذلك في علبة شحن الجهاز.

⚠️ **تحذير** • قم بشحن الجهاز باستخدام الشاحن الأصلي المرفق للجهاز أو أجهزة الشحن المصرح بها من قبل شركة KÄRCHER فقط. • قم بحماية كابل الشبكية من الحرارة، والحواف الحادة، والنزوت وأجزاء الجهاز المتحركة. • لا تقم بفتح جهاز الشحن. يجب تنفيذ أعمال الإصلاح من قبل فنيين متخصصين فقط. • استخدم جهاز الشحن لشحن علب البطاريات المعتمدة فقط. • عليك وبدون تأخير استبدال جهاز الشحن التالف مع كابل الشحن بقطع أصلية فقط. • يحتوي الجهاز على أجزاء كهربائية، فلذلك لا تقم بتنظيف الجهاز تحت الماء الجاري. • لا يسمح بشحن علبة البطارية لمدة أطول من 24 ساعة متواصلة.

⚠️ **تنويه** • لا تستخدم جهاز الشحن عندما يكون في حالة رطبة أو ممتسخة. • حافظ على أن تكون فتحات تهوية جهاز الشحن



**THANK YOU!**  
**MERCI! DANKE! ¡GRACIAS!**



Registrieren Sie Ihr Produkt und profitieren Sie von vielen Vorteilen.

Register your product and benefit from many advantages.

Enregistrez votre produit et bénéficiez de nombreux avantages.

Registre su producto y aproveche de muchas ventajas.

**[www.kaercher.com/welcome](http://www.kaercher.com/welcome)**



Bewerten Sie Ihr Produkt und sagen Sie uns Ihre Meinung.

Rate your product and tell us your opinion.

Évaluez votre produit et dites-nous votre opinion.

Reseñe su producto y díganos su opinión.



**[www.kaercher.com/dealersearch](http://www.kaercher.com/dealersearch)**

**Alfred Kärcher SE & Co. KG**  
Alfred-Kärcher-Str. 28-40  
71364 Winnenden (Germany)  
Tel.: +49 7195 14-0  
Fax: +49 7195 14-2212

